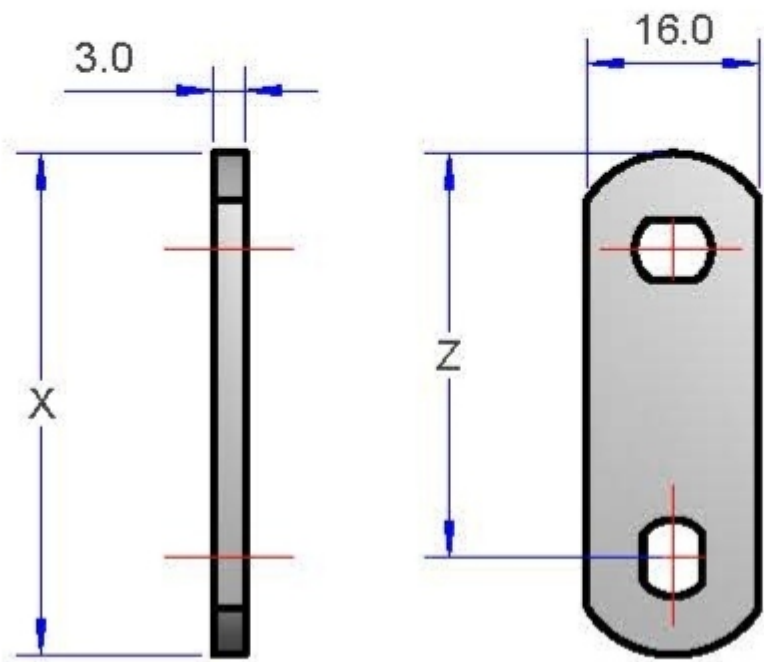
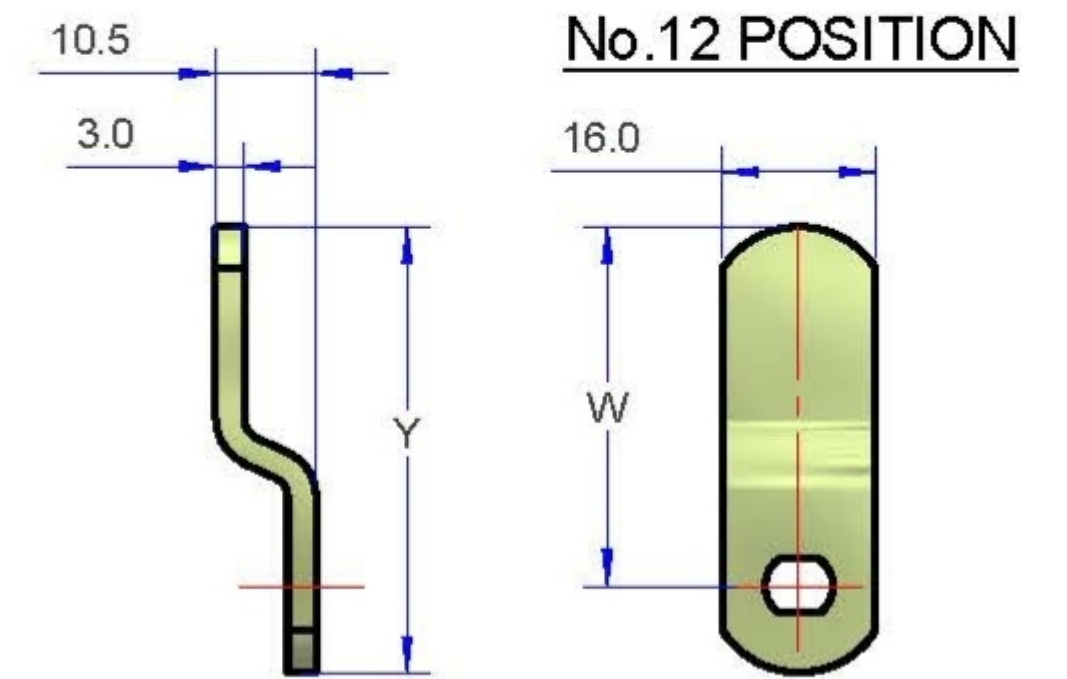
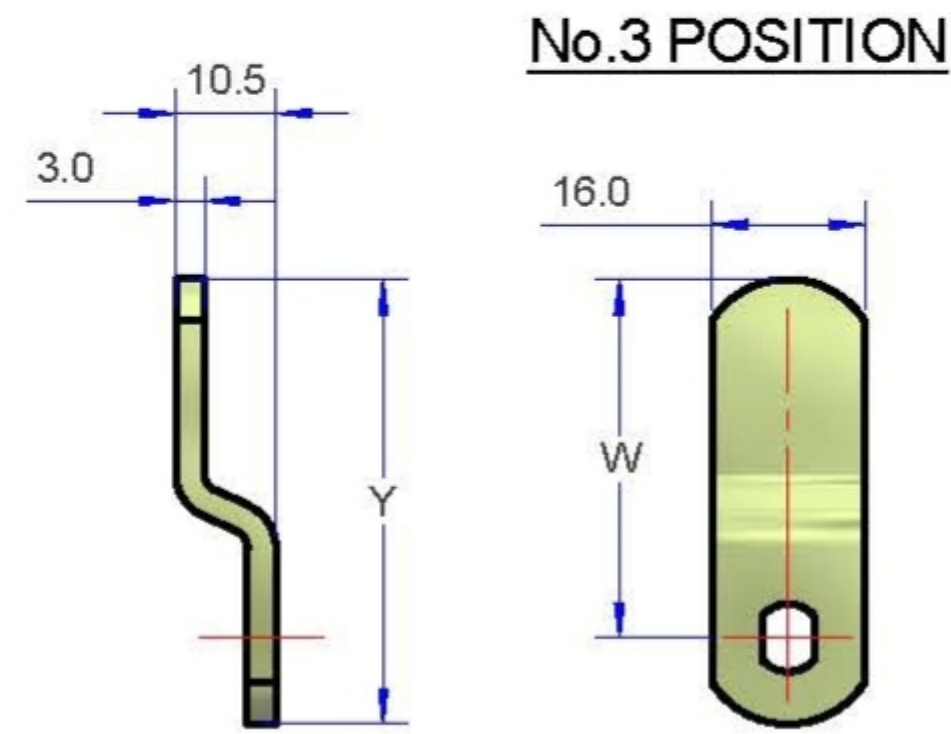


* Stock Items CLS

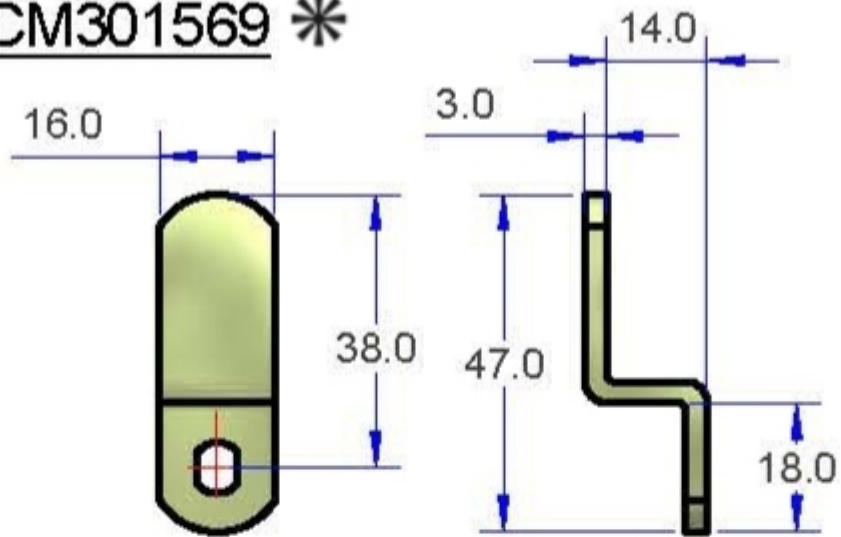


Parts List			
PART No	CAM	Z	X
CM301570	A3/A12	60.33	68.58
CM301579 *	B3/B12	57.15	65.40
CM301575	D3/D12	50.80	59.05
CM301572	E3/E12	47.63	55.88
CM301576 *	G3/G12	41.28	49.53
CM301574 *	J3/J12	31.75	40.00
CM301578 *	K3/K12	28.58	36.83
CM301571 *	L3/L12	25.40	33.65

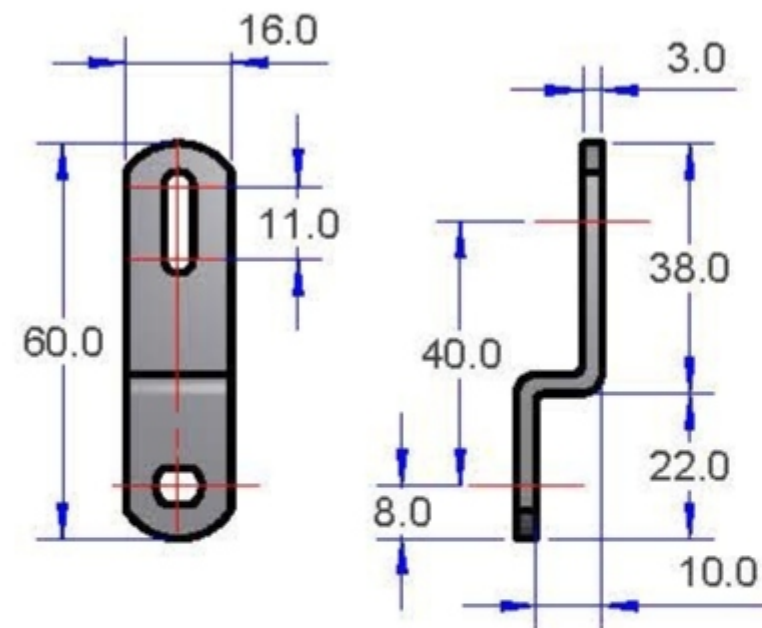


Parts List			
CAM No	HOLE	W	Y
CM301549*	3	27.50	36.50
CM301550*	12	27.50	36.50
CM301555*	3	35.00	44.00
CM301556*	12	35.00	44.00
CM301559*	3	40.00	49.00
CM301560*	12	40.00	49.00
CM301566	12	47.50	56.50

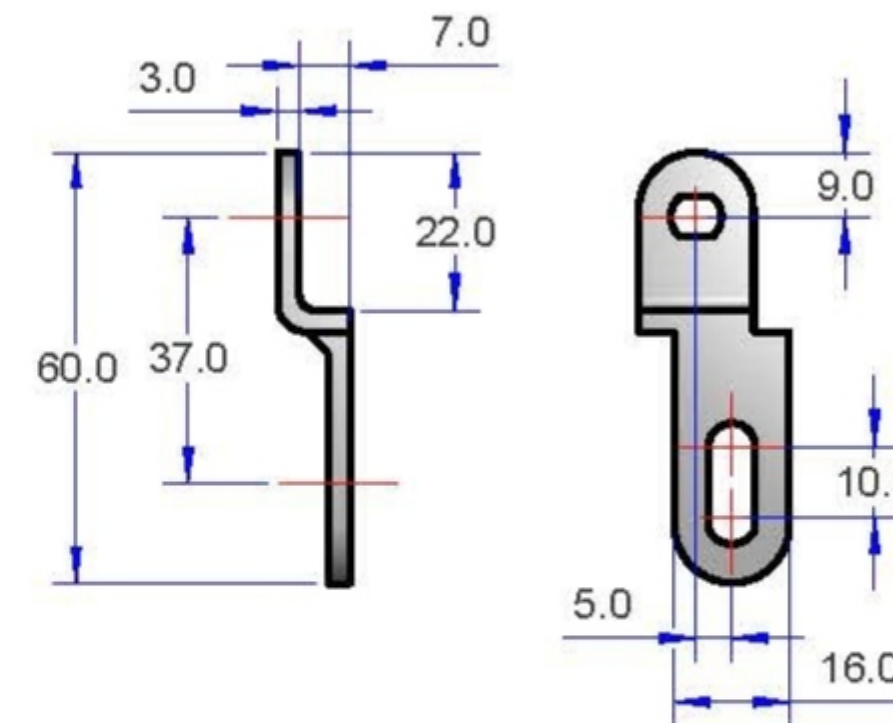
CM301569 *



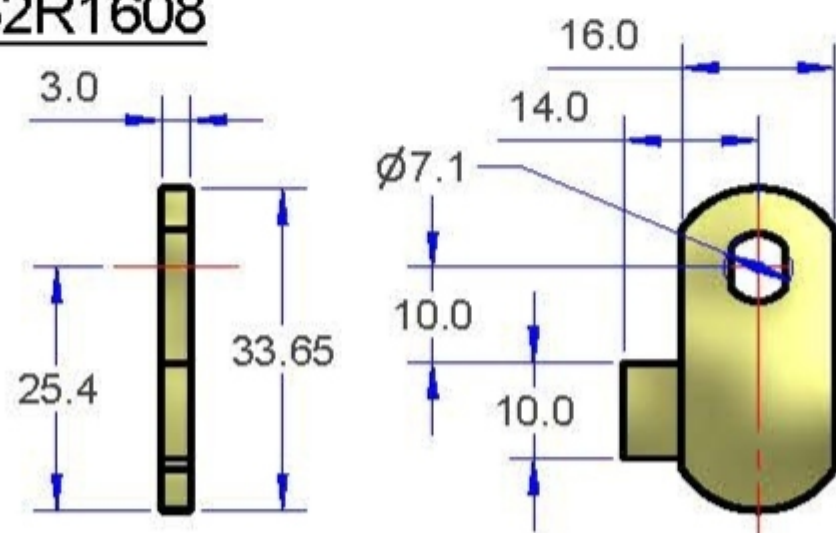
CM32R1604



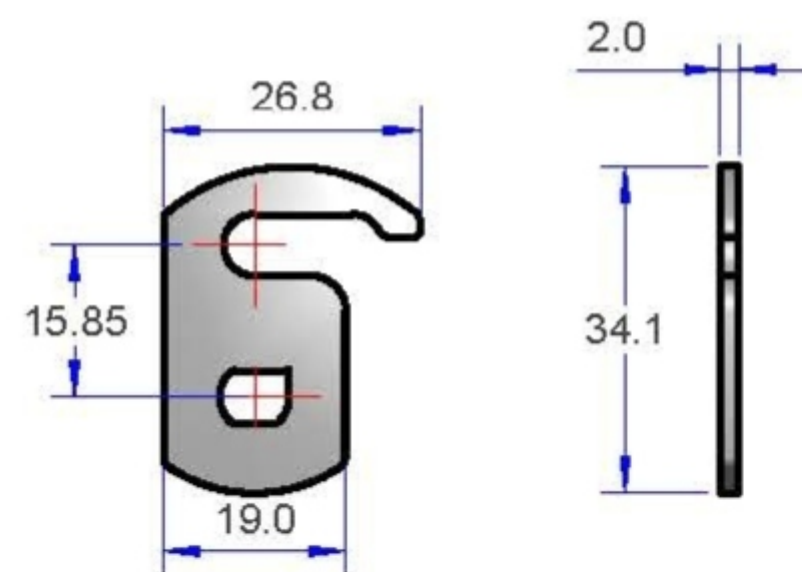
CM32R1611



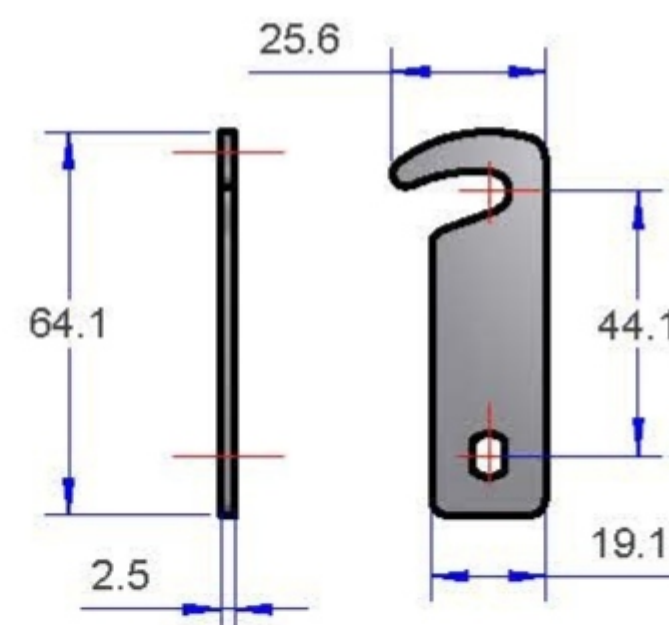
CM32R1608



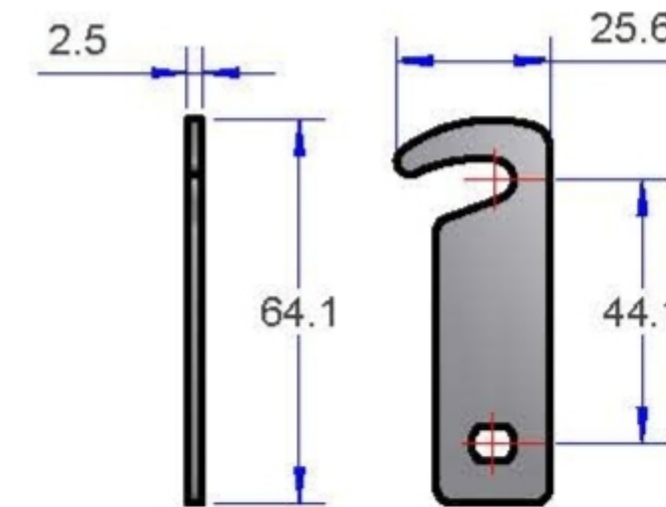
CM32R19



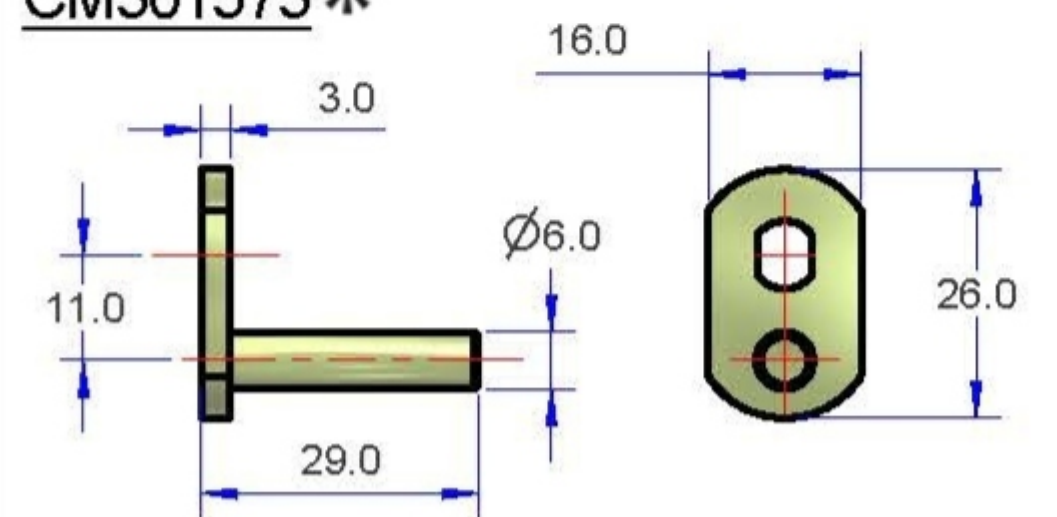
CM32R1514



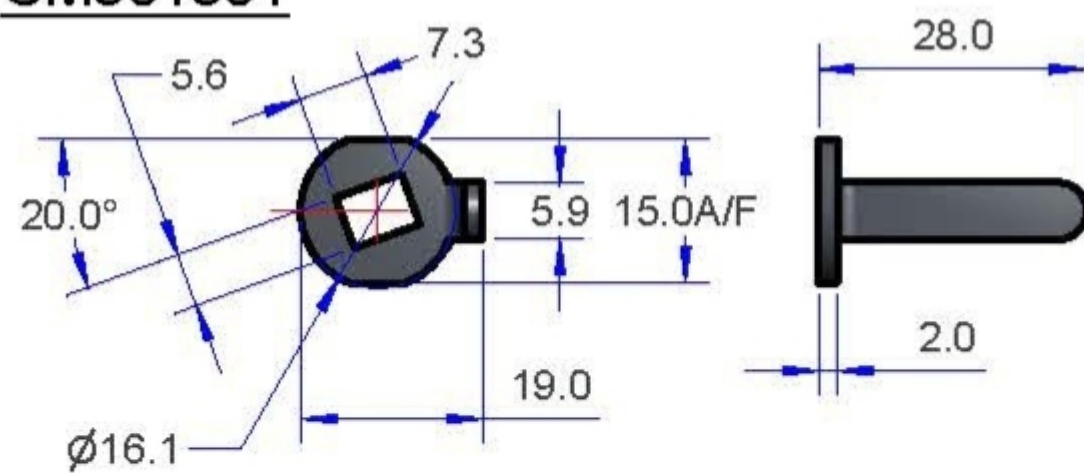
CM32R1605



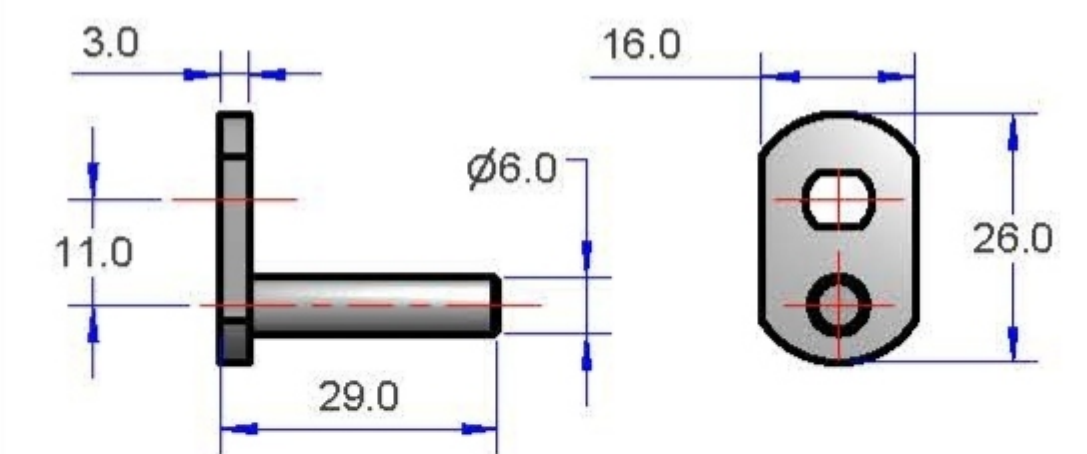
CM301573*



CM301581



CM32R1607



THIS PRINT IS THE PROPERTY OF THE AUSTRALIAN LOCK COMPANY PTY LTD AND NO PORTION MAY BE REPRODUCED WITHOUT WRITTEN PERMISSION OF THE COMPANY

REV	REVISION NOTE	DATE	BY

TOLERANCES UNLESS OTHERWISE STATED
 1 DECIMAL PL ± 0.25
 2 DECIMAL PL ± 0.05
 PLATE ± 2.00
 ANGLES ± 0.5

TITLE: BILOCK CAM CHART DETAILS

DATE: 5/10/2004 SCALE: N.T.S. CHKD: []

DRAWN BY: STEPHEN KENNEDY

AustralianLock COMPANY

PHONE: 02 4272 4922 A.B.N.: 17 002 420 840 FAX: 02 4272 4677

DWG No. CAM CHART ISSUE: A