

KLEUR: RAL 9005 (ZWART)

TITLE: SLEEVE SOFTBOX CASH R (M2)

PROJECT: Sleeve softbox cash R (M2)

CLIENT:

APPROVED:

PROJECT METHOD:

DRAWN BY: R.Wilminck

DATE: 28-04-2010

SCALE: 1:2

UNITS OF MEASURE: mm

FORMAT: A2

COMMENTS:

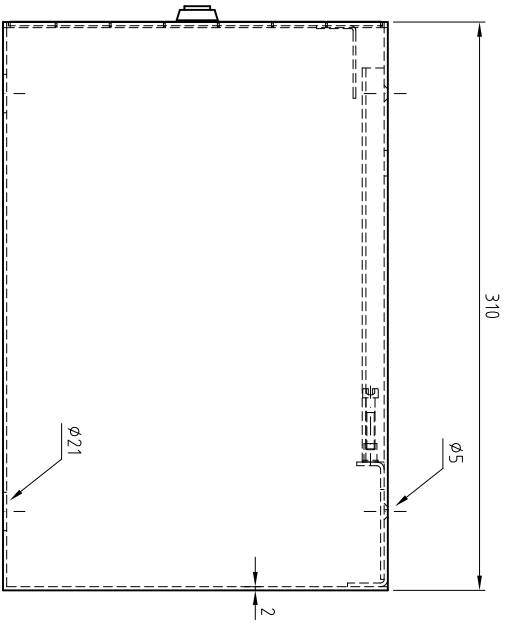
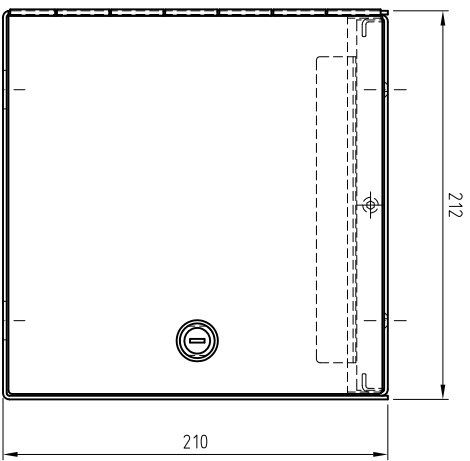
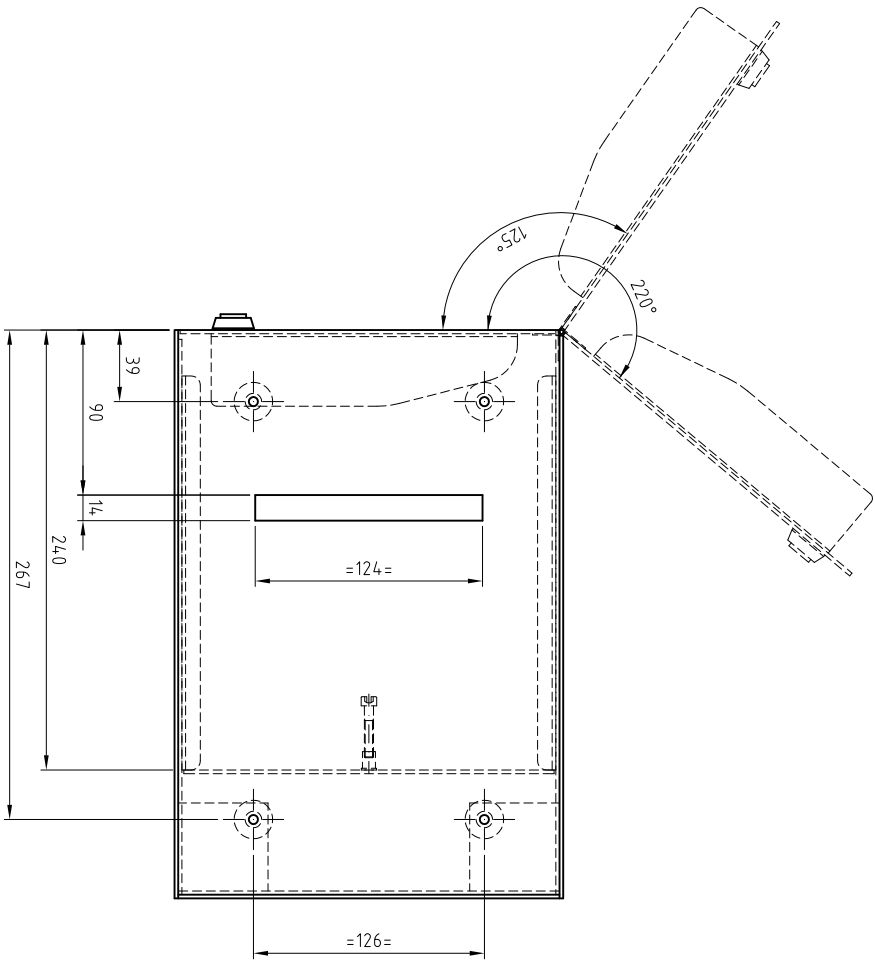
DRAWING NO:

10040303

CASINO LOCKING SYSTEMS



This document is confidential. The copyright rests with Casino Locking Systems. Without written authority the content of this document may not, entirely or partially, be duplicated or communicated to a third party. All rights reserved.



KLEUR: RAL 9005 (ZWART)

TITLE: SLEEVE SOFTBOX CASH L (M2)

PROJECT: Sleeve softbox cash L (M2)

CLIENT:

APPROVED:



PROJECT METHOD

DRAWN BY: R.Wilmlink

DATE: 28-04-2010

SCALE: 1:2

UNITS OF MEASURE: mm

FORMAT: A2

COMMENTS:

DRAWING NO:

10040303A

This document is confidential. The copyright rests with Casino Locking Systems. Without written authority the content of this document may not, entirely or partially, be duplicated or communicated to a third party. All rights reserved.

